



4700 W. 160th St.
Cleveland, Ohio 44135
Ph: (800) 321-9532
Fax: (800) 321-9535
www.oatey.com

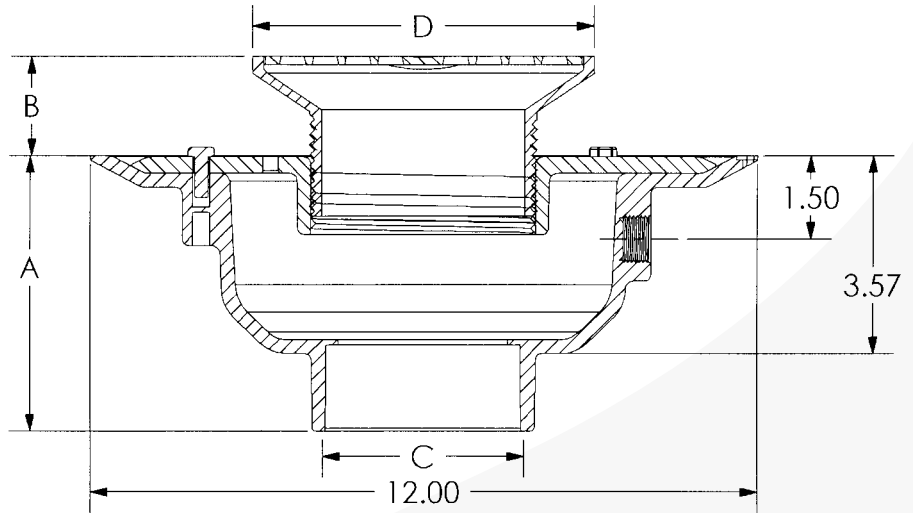
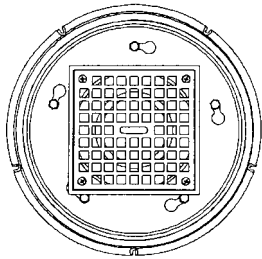
72000 Series PVC Adjustable Commercial Drain Cast Barrel With Square Grate In Square Top



SUBMITTAL SPECIFICATION

Engineering Specification: Oatey commercial grade floor drains are used for general service in restaurants, restrooms and other commercial applications where traffic is expected. Barrel assembly is completely adjustable to meet the finished floor height.

Job Reference



(All dimensions in inches)

- Barrel diameter is 3-1/2 in. IPS thread.
- Primer tap knock-out is 1/2 in. FIP thread.

✓	Socket Size (C)	Base Material	Barrel/Grate Finish	Grate Size	Part Number
	2 in.	PVC	Nickel	4 in.	72212
	2 in.	PVC	Nickel	5 in.	72232
	2 in.	PVC	Nickel	6 in.	72252
	2 in.	PVC	Chrome	4 in.	72222
	2 in.	PVC	Chrome	5 in.	72242
	2 in.	PVC	Chrome	6 in.	72262
	3 in.	PVC	Nickel	4 in.	72213
	3 in.	PVC	Nickel	5 in.	72233
	3 in.	PVC	Nickel	6 in.	72253
	3 in.	PVC	Chrome	4 in.	72223
	3 in.	PVC	Chrome	5 in.	72243
	3 in.	PVC	Chrome	6 in.	72263
	4 in.	PVC	Nickel	4 in.	72214
	4 in.	PVC	Nickel	5 in.	72234
	4 in.	PVC	Nickel	6 in.	72254
	4 in.	PVC	Chrome	4 in.	72224
	4 in.	PVC	Chrome	5 in.	72244
	4 in.	PVC	Chrome	6 in.	72264
	6 in.	PVC	Nickel	4 in.	72216
	6 in.	PVC	Nickel	5 in.	72236
	6 in.	PVC	Nickel	6 in.	72256
	6 in.	PVC	Chrome	4 in.	72226
	6 in.	PVC	Chrome	5 in.	72246
	6 in.	PVC	Chrome	6 in.	72266

	Dimensional Data			
	A	B	C	D
2 in.*	5.25 in.	1.00 – 3.75 in.	2 in. Hub	4.00, 5.00 or 6.00 in.
3 in.	5.00 in.	1.00 – 3.75 in.	3 in. Hub	4.00, 5.00 or 6.00 in.
4 in.	5.25 in.	1.00 – 3.75 in.	4 in. Hub	4.00, 5.00 or 6.00 in.
6 in.	6.00 in.	1.00 – 3.75 in.	6 in. Hub	4.00, 5.00 or 6.00 in.

*2 in. base includes 3 in. x 2 in. bushing.

Grate Properties			
Size	Finish	Open Area	Load*
4 in.	Nickel	5.94 in. ²	Medium
4 in.	Chrome	5.94 in. ²	Medium
5 in.	Nickel	10.26 in. ²	Light
5 in.	Chrome	10.26 in. ²	Light
6 in.	Nickel	13.49 in. ²	Light
6 in.	Chrome	13.49 in. ²	Light

*Load is defined by ASME A112.21.1M.
Light Duty – Safe live load under 2000 lbs.
Medium Duty – Safe live load between 2000 lbs. and 4999 lbs.



4700 W. 160th St.
Cleveland, Ohio 44135
Ph: (800) 321-9532
Fax: (800) 321-9535
www.oatey.com

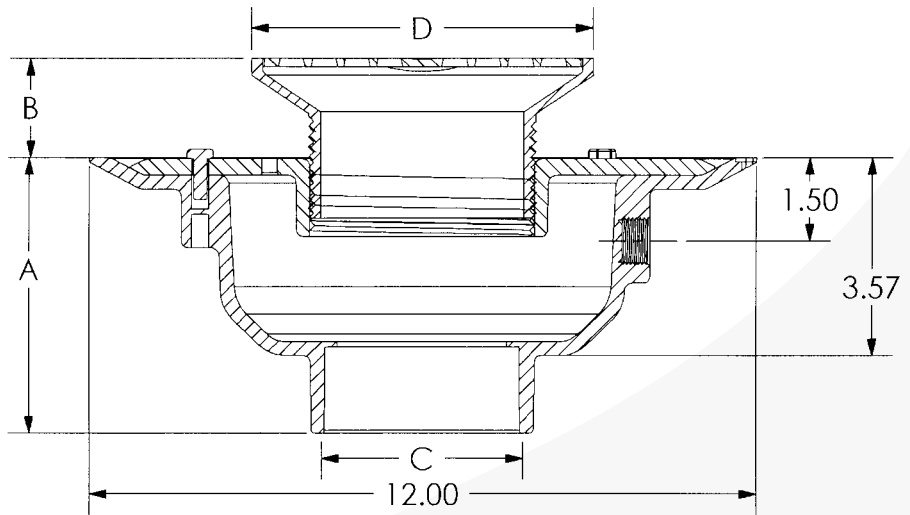
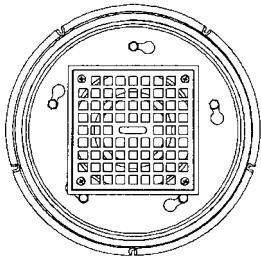
SUBMITTAL SPECIFICATION

**82000 Series
ABS Adjustable Commercial Drain
Cast Barrel With Square Grate In Square Top**



Engineering Specification: Oatey commercial grade floor drains are used for general service in restaurants, restrooms and other commercial applications where traffic is expected. Barrel assembly is completely adjustable to meet the finished floor height.

Job Reference



(All dimensions in inches)

- Barrel diameter is 3-1/2 in. IPS thread.
- Primer tap knock-out is 1/2 in. FIP thread.

✓	Socket Size (C)	Base Material	Barrel/Grate Finish	Grate Size	Part Number
	2 in.	ABS	Nickel	4 in.	82212
	2 in.	ABS	Nickel	5 in.	82232
	2 in.	ABS	Nickel	6 in.	82252
	2 in.	ABS	Chrome	4 in.	82222
	2 in.	ABS	Chrome	5 in.	82242
	2 in.	ABS	Chrome	6 in.	82262
	3 in.	ABS	Nickel	4 in.	82213
	3 in.	ABS	Nickel	5 in.	82233
	3 in.	ABS	Nickel	6 in.	82253
	3 in.	ABS	Chrome	4 in.	82223
	3 in.	ABS	Chrome	5 in.	82243
	3 in.	ABS	Chrome	6 in.	82263
	4 in.	ABS	Nickel	4 in.	82214
	4 in.	ABS	Nickel	5 in.	82234
	4 in.	ABS	Nickel	6 in.	82254
	4 in.	ABS	Chrome	4 in.	82224
	4 in.	ABS	Chrome	5 in.	82244
	4 in.	ABS	Chrome	6 in.	82264
	6 in.	ABS	Nickel	4 in.	82216
	6 in.	ABS	Nickel	5 in.	82236
	6 in.	ABS	Nickel	6 in.	82256
	6 in.	ABS	Chrome	4 in.	82226
	6 in.	ABS	Chrome	5 in.	82246
	6 in.	ABS	Chrome	6 in.	82266

	Dimensional Data			
	A	B	C	D
2 in.*	5.25 in.	1.00 – 3.75 in.	2 in. Hub	4.00, 5.00 or 6.00 in.
3 in.	5.00 in.	1.00 – 3.75 in.	3 in. Hub	4.00, 5.00 or 6.00 in.
4 in.	5.25 in.	1.00 – 3.75 in.	4 in. Hub	4.00, 5.00 or 6.00 in.
6 in.	6.00 in.	1.00 – 3.75 in.	6 in. Hub	4.00, 5.00 or 6.00 in.

*2 in. base includes 3 in. x 2 in. bushing.

Grate Properties			
Size	Finish	Open Area	Load*
4 in.	Nickel	5.94 in. ²	Medium
4 in.	Chrome	5.94 in. ²	Medium
5 in.	Nickel	10.26 in. ²	Light
5 in.	Chrome	10.26 in. ²	Light
6 in.	Nickel	13.49 in. ²	Light
6 in.	Chrome	13.49 in. ²	Light

*Load is defined by ASME A112.21.1M.

Light Duty – Safe live load under 2000 lbs.

Medium Duty – Safe live load between 2000 lbs. and 4999 lbs.