



OATEY QUIET PIPES® WATER HAMMER ARRESTORS SIZE A-F

Job Name _____	Item # _____
Location _____	
Engineer _____	Contractor _____
PO # _____	Tag _____
Representative _____	

SPECIFICATIONS

Oatey Quiet Pipes Hammer Arrestors shall be installed in any diameter pipe supply application which could experience water hammer due to quick closing valves or faucets. Arrestor chambers shall be specifically sized to accommodate and dissipate energy generated by such valves and faucets. Arrestors shall be effective when installed at any angle. Arrestor shall be lead-free, made of copper and include a polypropylene piston with two NBR o-rings. Arrestors shall be ANSI/ASSE1010-2004 certified and approved for installation with no access panel required.

FEATURES & MATERIALS

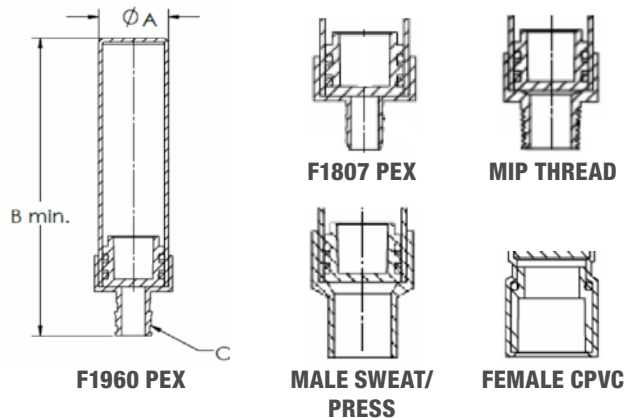
Arrestor Body	Copper (Type K)
Piston	Polypropylene with two NBR O-rings
Piston Lubrication	Dow Corning Molykote 111
Fittings Available	Male Sweat/Press, Female CPVC, MIP, F1807 PEX & F1960 PEX (no lead brass C46400)

PERFORMANCE SPECIFICATIONS

Temperature Range	33° - 180° F
Max Working Pressure	0-400 PSI

LISTINGS & CODE APPROVALS

ANSI/ASSE1010-2004
cUPC
PDI WH-201-2017



DIMENSIONS

Arrestor Size	A	A	A	A	A	B	B	B	B	B	C	C	C	C	C	D	D	E	E	F	F
Product #:	34476	34481	34482	34486	34491	34483	34484	34492	34493	34495	34477	34485	34487	34494	34496	34488	34497	34479	34489	34480	34490
Arrestor Body Diameter [A]:	1.125"	1.125"	1.125"	1.125"	1.125"	1.125"	1.125"	1.125"	1.125"	1.125"	1.375"	1.375"	1.375"	1.375"	1.375"	1.625"	1.625"	2.125"	2.125"	2.125"	2.125"
Overall Height [B]:	4.78"	4.76"	4.68"	4.87"	4.93"	5.49"	5.39"	5.82"	5.32"	5.6"	6.94"	6.74"	6.87"	6.57"	6.96"	8.29"	8.10"	9.24"	9.45"	11.23"	11.41"
Fitting Type [C]:	F1960 PEX	MIP	F1807 PEX	Male Sweat/Press	Female CPVC	Male Sweat/Press	MIP	Female CPVC	F1807 PEX	F1960 PEX	Female CPVC	MIP	Male Sweat/Press	F1807 PEX	F1960 PEX	Male Sweat/Press	MIP	MIP	Male Sweat/Press	MIP	Male Sweat/Press
Fitting Size [C]:	1/2"	1/2"	1/2"	1/2"	1/2"	1/4"	3/4"	3/4"	3/4"	3/4"	1"	1"	1"	1"	1"	1"	1"	1"	1"	1"	1"

Access BIM/Revit content through Oatey.com



**OATEY QUIET PIPES®
WATER HAMMER ARRESTORS
SIZE A-F**

Job Name _____	Item # _____
Location _____	
Engineer _____	Contractor _____
PO # _____	Tag _____
Representative _____	

PRODUCT SELECTOR

QUIET PIPES® WATER HAMMER ARRESTORS SIZE A-F			
✓	Product Number	Description	CTN. QTY.
	34476	A, 1/2" F1960 PEX	12
	34481	A, 1/2" MIP	12
	34482	A, 1/2" F1807 PEX	12
	34486	A, 1/2" Male Sweat/Press	30
	34491	A, 1/2" Female CPVC	24
	34483	B, 3/4" Male Sweat/Press	30
	34484	B, 3/4" MIP	30
	34492	B, 3/4" Female CPVC	24
	34493	B, 3/4" F1807 PEX	30
	34495	B, 3/4" F1960 PEX	30
	34477	C, 1" Female CPVC	12
	34497	D, 1" MIP	6
	34485	C, 1" MIP	24
	34487	C, 1" Male Sweat/Press	24
	34494	C, 1" F1807 PEX	24
	34496	C, 1" F1960 PEX	24
	34488	D, 1" Male Sweat/Press	6
	34479	E, 1" MIP	6
	34489	D, 1" Male Sweat/Press	6
	34480	F, 1" MIP	6
	34490	F, 1" Male Sweat/Press	6

*Limited Lifetime Warranty – See Oatey.com/warranty for details.

Access BIM/Revit content through Oatey.com